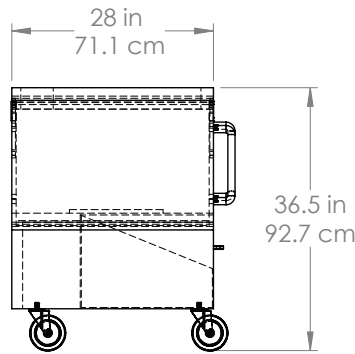
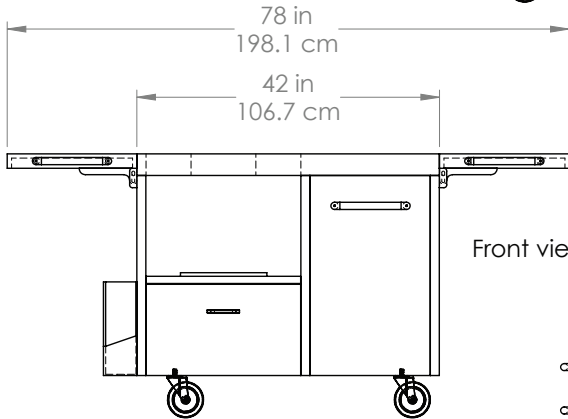


Side view

Front view

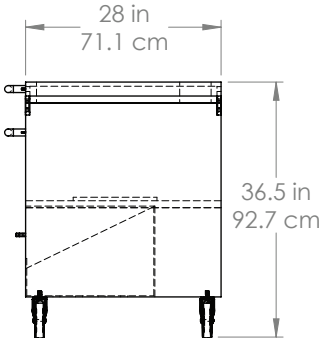


EGT 4



Side view

Front view



EGT 6

Construction & Features: Welded all stainless construction. 16 gauge Type 304 Stainless Steel, All stainless heavy duty industrial hardware. Drawer slides are rated at 100 pounds. NSF approved casters are rated at 250 pounds each, set comes with 2 locking casters. Drop down shelves are 18" wide. Table is shipped assembled, only drop shelves need added if ordered. 12" stainless handles double as towel bar or place to hang tools. Platform under cooker eliminates the need for a concrete paver. Options include door and drawer locks, utensil hooks, plate setter storage, drawer insert, drop down shelves and adjustable racks in storage area.